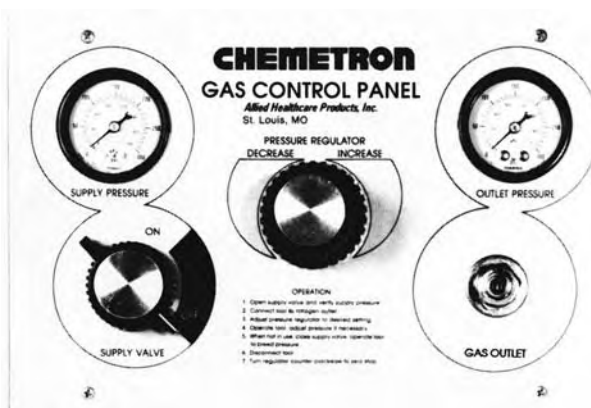


Nitrogen Control Panel/chemetron

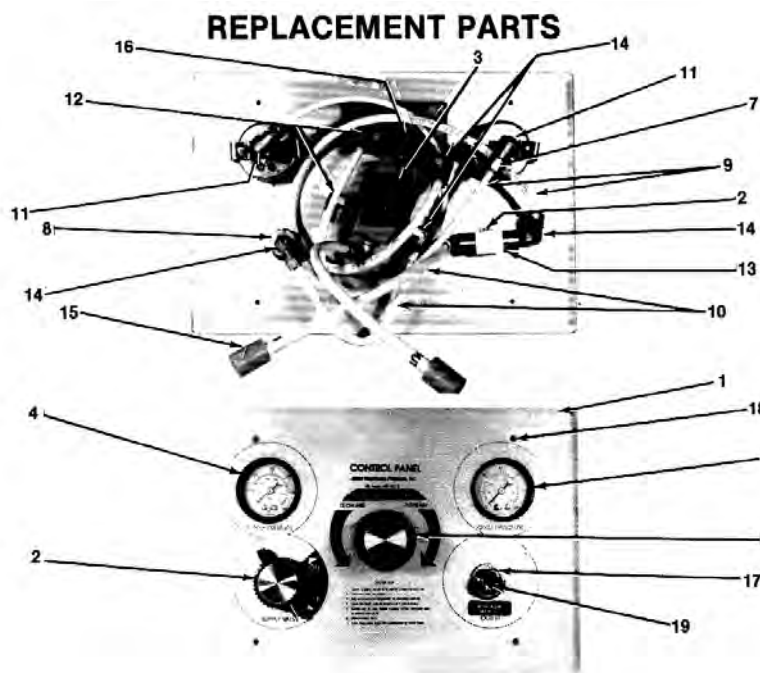
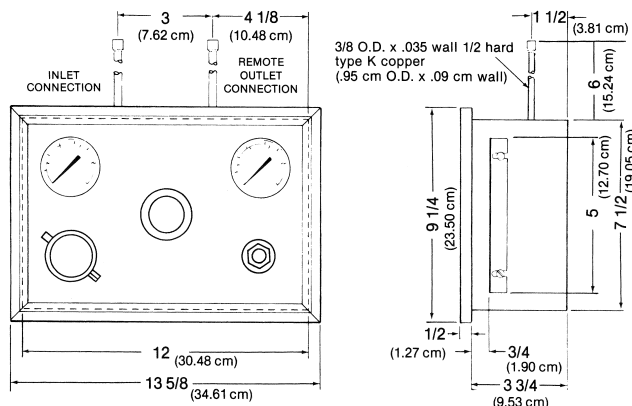
CHEMETRON NITROGEN CONTROL PANEL

- #32-75200007 Nitrogen Control Panel with female Schrader medical air outlet
- #32-75200005 Nitrogen Control Panel with male D.I.S.S. outlet
- #32-75200006 Nitrogen Control Panel with female Dynacon pressure relieving outlet



Common Replacement Parts

- #32-75900103 Regulator with Nut
- #32-75900104 Gauge 0 - 300psi
- #32-75900105 Regulator Knob
- #32-75900120 Regulator Repair Kit
- #32-75900135 Knob Valve Stop



Item No.

- 1 Frame
- 2 Supply Valve
- 3 Regulator w/panel nut
- 4 Gauge, 0-300 psi
- 5 Regulator Control Knob
- 7 Insert/Nut Kit for 1/4" Tube, 12/ea
- 8 Panel Adapter for Outlet, 1/4" FPT
- 9 Gauge Tubing Kit, 1/4", w/Inserts and Nuts
- 10 Regulator/Supply Tubing Kit, 5/16" w/Inserts and Nuts
- 11 Elbow, 1/4" FPT x 1/4" Tube
- 12 Elbow, 1/4" MPT x 1/4" Tube
- 13 Connector, 1/4" MPT x 5/16" Tube (Also used in mounting box for "IN", "OUT" Fittings)
- 14 Elbow, 1/4" MPT x 5/16" Tube
- 15 5/16" Tube Insert and Nut Kit, 12/ea
- 16 Branch Tee, 1/4" x 1/4" NPT
- 17 Decorative Trim Washer for Outlet
- 18 Front Panel Screws, Kit of 12, 5/8" x 6-32
- 19 Outlet Fitting, DISS Nitrogen Check
- 19 Outlet Fitting, DISS Air Check
- 19 Outlet Fitting, Female Schrader Air Check
- 19 Outlet Fitting, Female Dyna-Con® Check
- 20 Regulator Repair Kit (Not Shown)
- 21 Panel Nut for Regulator (Not Shown)

Catalog No.

- #32-75-90-0101
- #32-75-90-0135
- #32-75-90-0103
- #32-75-90-0104
- #32-75-90-0105
- #32-75-90-0107
- #32-75-90-0108
- #32-75-90-0109
- #32-75-90-0110
- #32-75-90-0111
- #32-75-90-0112
- #32-75-90-0113
- #32-75-90-0114
- #32-75-90-0115
- #32-75-90-0116
- #32-75-90-0117
- #32-75-90-0118
- #69-203-18
- #69-202-44
- #69-201-36
- #69-203-11
- #32-75-90-0120
- #32-75-90-0122