

Blood Pressure/Breakdowns

Testing For Accuracy

It is important to realize that:

- Everyone's blood pressure varies, so a comparison of actual readings is no proof of an inaccurate instrument.
- A comparison of blood pressure readings on different patients introduces other variable factors.
- A comparison of blood pressure readings obtained by different doctors adds more variables.
- Perhaps the blood pressure cuff is at fault:*
(1) if too narrow or too wide a cuff is used, (2) if it is not properly positioned or applied snugly enough to the arm, (3) if the inflation bag does not lie flat in the cuff, or (4) if it is not properly made.

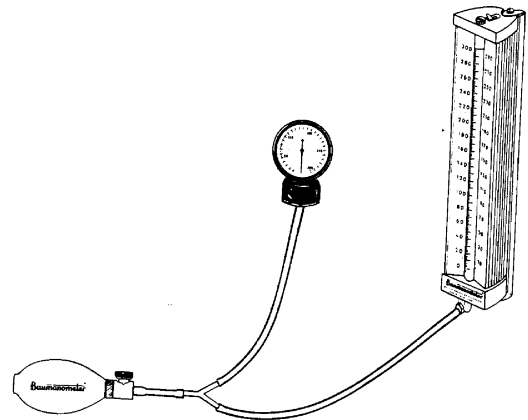
In testing the accuracy of a blood pressure instrument you are testing a person's blood pressure, not a doctor's technique, nor the efficiency of a blood pressure cuff. You should test only the instrument itself, as described.

Test Procedure

Attach one arm of the "Y" connector to the Air-Flow® Control Valve and bulb assembly which serves as a pressure source; another to the reservoir of the Baumanometer® being used as the standard; and the third arm to the blood pressure instrument being tested.

As you pump the rubber bulb, both manometers will be subject to the same pressure. If the readings are not within +3mm Hg, you know the instrument being tested is inaccurate and needs adjustment or repair.

It is important to check aneroid manometers at several points of the scale other than zero. "The readings on the dial at different pressures should check with those of a properly constructed and perfectly functioning mercury manometer. The fact that the pointer indicates zero may be no guarantee of accuracy over the whole pressure range." - American Heart Association, "Recommendations for Human Blood Pressure Determination by Sphygmomanometers."



* This subject is covered in detail on pages 9, 10, 18 and 19 of booklet, "The Clinical Measurement of Blood Pressure."

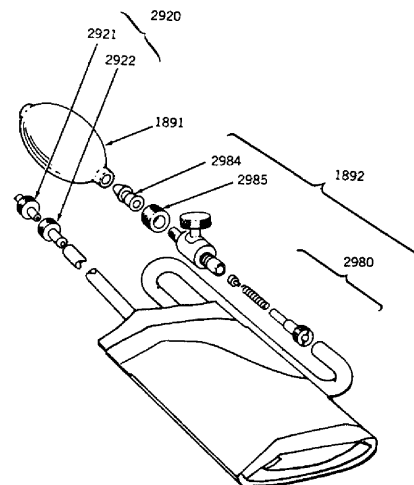
Item Number	Description
#29-0661-2941	Calibration wye connector with bulb and valve and tubing (manometers not included)

Replacement Parts For Baumanometer® Inflation System

Item Number	Description
#29-0661-1820	Calibrated® V-Lock® complete inflation system, adult size
#29-0661-1840	Baumanometer® latex bag, adult size
#29-0661-1870	Calibrated® V-Lock™ cuff only, adult size.
#29-0661-1890	Latex bulb and Air-Flow™ Control Valve Complete
#29-0661-1891	Baumanometer® latex bulb only
#29-0661-1892	Air-Flow® Control Valve only

Repair Parts Baumanometer® Inflation System

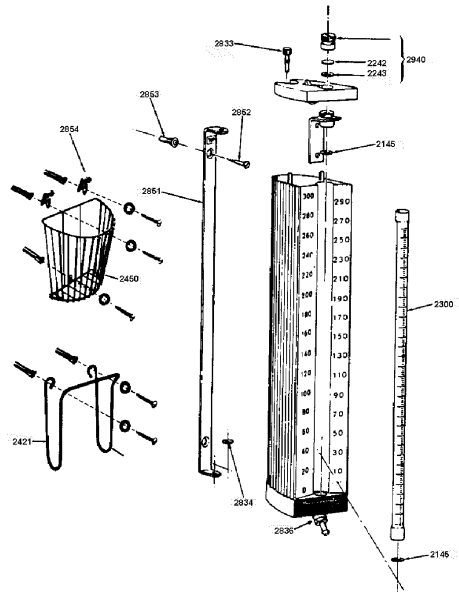
Item Number	Description
#29-0661-2911	Latex tubing, ozone resistant per ft.
#29-0661-2920	Make-and-break luer connector, set
#29-0661-2921	Make-and-break luer connector, male only
#29-0661-2922	Make-and-break luer connector, female only
#29-0661-2980	Complete valve inside assembly
#29-0661-2984	Adapter (bulb-to-valve)
#29-0661-2985	Metal bulb shield, milled



Blood Pressure/Breakdowns

Repair Parts For Baumanometer® Wall Unit 33

Item Number	Description
#29-0661-2300	Mylar® wrapped cartridge tube for Wall Unit 33 (300 mmHg)
#29-0661-2833	Top swivel screw
#29-0661-2834	Bottom swivel washer
#29-0661-2836	Connector (reservoir-to-extendex)
#29-0661-2840	Special knurled cap washer
#29-0661-2242	Diaphragm filter
#29-0661-2243	Leather cap washer
#29-0661-2145	Silicone rubber tube washer
#29-0661-2850	Complete reservoir
#29-0661-2851	Mounting bracket with 1 top swivel and mounting anchors and screws
#29-0661-2852	Mounting screws, pair
#29-0661-2853	Mounting anchors, pair
#29-0661-2854	Nylon hanging clip, pair
#29-0661-2855	Reservoir gasket
#29-0661-2420	Inflation system wall basket
#29-0661-2421	Stainless clip type holder for inflation system
#29-0661-2310	Pre-measured mercury refill (not illustrated)



Lever Rock Insertion Instructions

Purpose

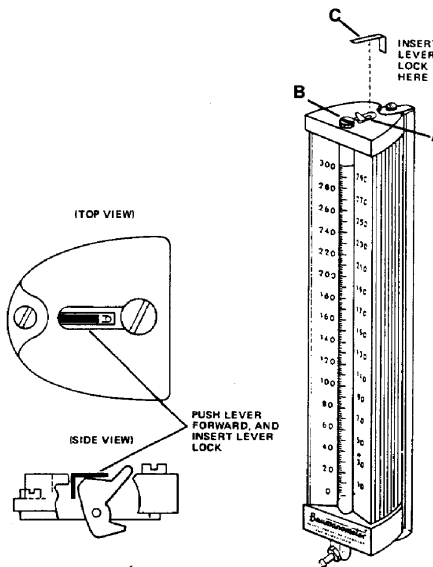
To prevent tampering with the cartridge tube release lever and accidental release of mercury.

Procedure:

Push lever 'A' forward (toward the chrome plated cap 'B') and insert lever lock 'C' as shown in diagram.

Note:

To clean the glass cartridge tube, remove the instrument from the wall bracket, remove the lever lock. To remove the tube, the instrument should be tilted back and laid on its right side. To free the tube, push back on the lever behind the top cap. Clean the tube with one of the oversized pipe cleaners supplied with the Baumanometer® Service Kit. Replace the tube sockets, making sure that both ends are well seated against the silicone rubber washers and that the end of the tube marked "O" is at the bottom

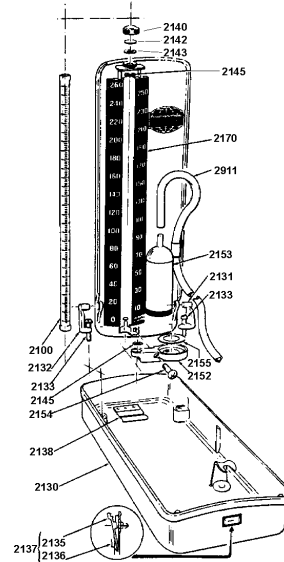


Item Number	Description
#29-0661-3001	Oversized pipe cleaner

Blood Pressure/Breakdowns

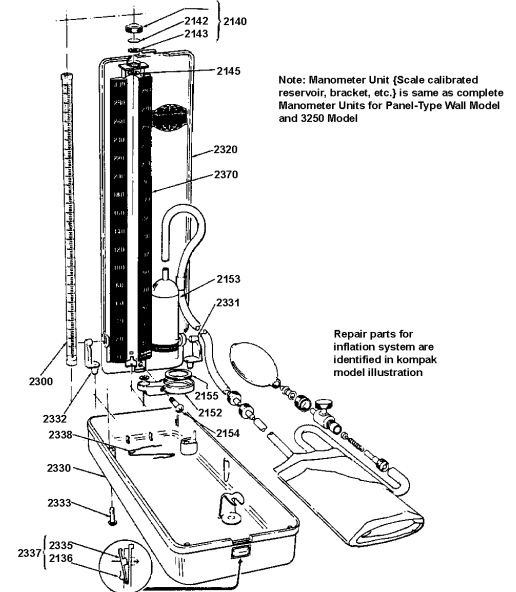
Repair Parts For Baumanometer® Kompak Model

Item Number	Description
#29-0661-2100	Mylar® Wrapped Cartridge Tube (For Kompak (260mm/Hg))
#29-0661-2120	Cover Only
#29-0661-2130	Case Only
#29-0661-2131	Hinge Post, right hand
#29-0661-2133	Screw for hinge post
#29-0661-2134	Hinge posts, pair
#29-0661-2135	Lock push plate
#29-0661-2136	Leaf spring for lock push plate
#29-0661-2137	Complete lock
#29-0661-2138	Flat cover spring and plate
#29-0661-2139	"Z" Spring for old style cover (not shown)
#29-0661-2140	Knurled cap, complete
#29-0661-2142	Diaphragm filter
#29-0661-2143	Leather cap washer
#29-0661-2145	Silicone rubber tube washer
#29-0661-2150	Complete reservoir and bracket assembly
#29-0661-2154	Bracket screw
#29-0661-2155	Reservoir washer
#29-0661-2170	Scale only
#29-0661-2110	Pre-measured mercury refill (not illustrated)



Repair Parts For Baumanometer® Desk Model

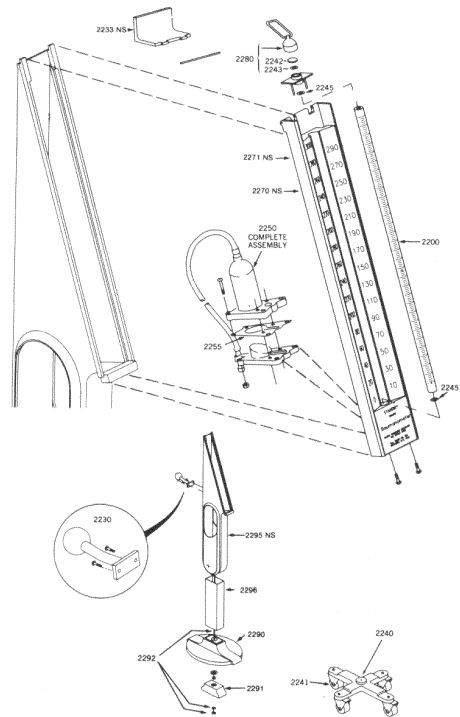
Item Number	Description
#29-0661-2300	Mylar® Wrapped Cartridge Tube for Desk Model, Panel-Type Wall Model, and Wall Unit 33 (300 mm/Hg)
#29-0661-2320	Cover Only
#29-0661-2330	Case Only
#29-0661-2331	Hinge Post, right hand
#29-0661-2332	Hinge Post, left hand
#29-0661-2333	Screw for hinge post
#29-0661-2334	Hinge posts, pair
#29-0661-2335	Lock push plate
#29-0661-2136	Leaf spring for lock push plate
#29-0661-2337	Complete lock
#29-0661-2338	"Z" Spring for cover
#29-0661-2140	Knurled cap complete
#29-0661-2142	Diaphragm filter
#29-0661-2143	Leather cap washer
#29-0661-2145	Silicone rubber tube washer
#29-0661-2150	Complete reservoir and bracket assembly
#29-0661-2154	Bracket screw
#29-0661-2155	Reservoir washer
#29-0661-2370	Scale only
#29-0661-2310	Pre-measured mercury refill (not illustrated)



Blood Pressure/Breakdowns

Repair Parts For New Style Baumanometer® Standby® Model

Item Number	Description
#29-0661-2200	Mylar® Wrapped Cartridge Tube for Standby Model (300mmHg)
#29-0661-2233NS	Hinge cap
#29-0661-2242	Diaphragm filter
#29-0661-2243	Leather cap washer
#29-0661-2245	Silicone rubber tube washer
#29-0661-2250	Complete reservoir
#29-0661-2255	Reservoir gasket
#29-0661-2270NS	Scale only
#29-0661-2271NS	Complete scale unit (includes scale unit, reservoir, and calibrated tube - mercury)
#29-0661-2272NS	Screws for Standby Scale Co.
#29-0661-2280	Knurled cap complete
#29-0661-2290	Standard base only
#29-0661-2291	Extra 3lb. weight only
#29-0661-2292	Tie rod (complete with hex nut, metal washer, and wing nut)
#29-0661-2295NS	Standby body only
#29-0661-2296	9" inch spacer Standby®



Standby® Model Accessories

#29-0661-2230	Ball handle
#29-0661-2231	Ball knob for Standby®
#29-0661-2240	4-Wheel base assembly
#29-0661-2241	Caster for 4-wheel base with lock washer and cap nut
#29-0661-2244	Set of 4 casters (2 1/2") for 2240
#29-0661-2210	Pre-measured mercury refill (not illustrated)

Note: To determine whether or not you have new style Standby® Model, the following will be useful:

1. All serial numbers for new style Standby® models begin with the letter S. This style began April 15, 1978.

Repair Parts For Old Style Baumanometer® Standby® Model

Item Number	Description
#29-0661-2200	Mylar® Wrapped Cartridge Tube for Standby Model (300mmHg)
#29-0661-2233	Hinge cap
#29-0661-2234	Hinges for hinge cap, pair
#29-0661-2242	Diaphragm filter
#29-0661-2243	Leather cap washer
#29-0661-2245	Silicone rubber tube washer
#29-0661-2250	Complete reservoir
#29-0661-2255	Reservoir gasket
#29-0661-2270	Scale only
#29-0661-2271	Complete scale unit (includes scale unit, reservoir, and calibrated tube - mercury extra)
#29-0661-2272	Screws for Standby® scale (1)
#29-0661-2280	Knurled cap complete
#29-0661-2290	Standard base only
#29-0661-2291	Extra 3lb. weight only
#29-0661-2292	Tie rod (complete with hex nut, metal washer, and wing nut)
#29-0661-2295	Standby® body only
#29-0661-2296	9" spacer for Standby®

Standby® Model Accessories

#29-0661-2230	Ball handle
#29-0661-2231	Ball knob for Standby
#29-0661-2240	4-Wheel base assembly
#29-0661-2241	Caster for 4-wheel base with lock washer and cap nut
#29-0661-2244	Set of 4 casters (2 1/2") for 2240
#29-0661-2210	Pre-measured mercury refill (not illustrated)

